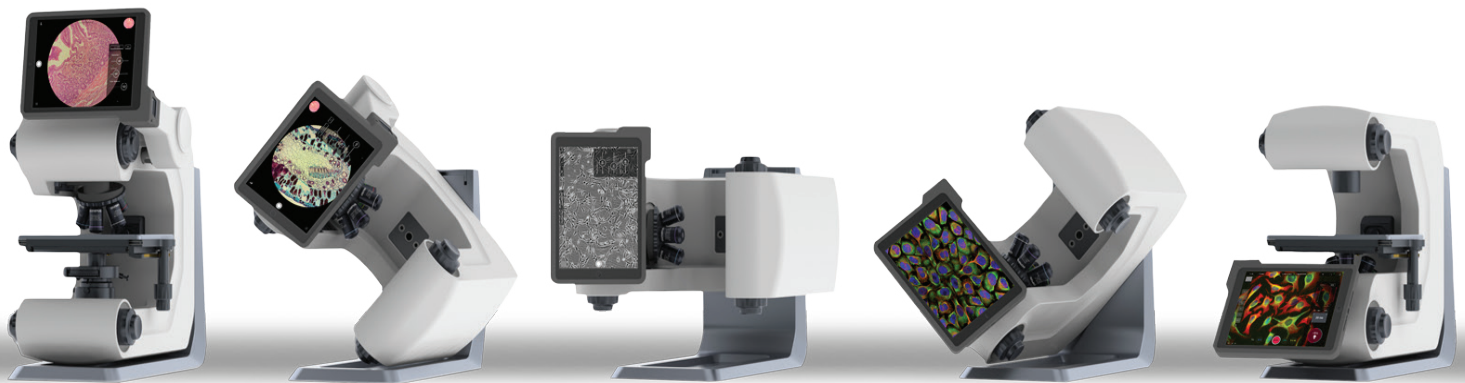


Change The Way You View Science.

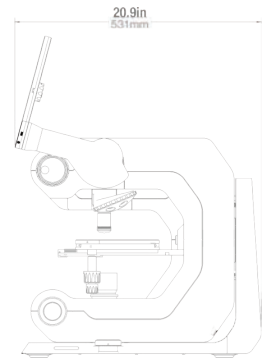
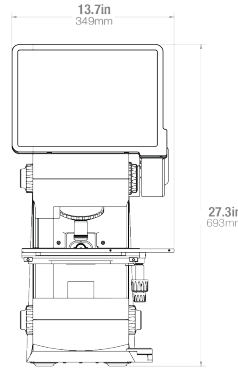
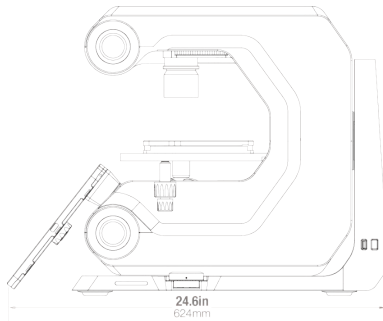
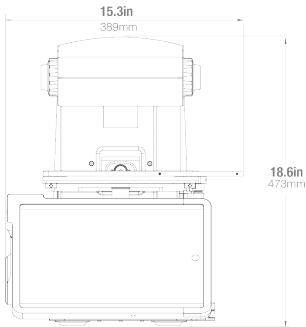


Meet Revolve.

The first and only hybrid microscope that easily transforms between upright and inverted configurations. We've replaced the eyepieces with an iPad Pro® to create an experience you've never seen before.

To learn more, and to build and price your microscope in minutes, visit: discover-echo.com

PRODUCT SPECIFICATIONS



POWER

Voltage Input: 100 ~ 240 VA (50/60Hz)
Voltage Output: 12V
Current Output (Max): 4.17A
Power: 50W



CAMERAS

Brightfield

- 12MP CMOS Color camera

Fluorescence

- 3.2MP CMOS Monochrome camera
- 2048 x 1536 (Pixel Size 3.45um)



DISPLAY

12.9" Retina® Display
 2732 x 2048 (264 pixels/inch)
 Full Circular FOV (field of view) as seen through conventional eyepieces
 Touchscreen interface



DATA TRANSFER

USB
 AirDrop® (iOS and Mac)
 Seamless integration with file sharing and cloud storage apps (Dropbox™)



MOTORIZED EPI-FLUORESCENCE TURRET

Ultra-bright LEDs with 50,000-hour lifespan
 Mercury-Free Illumination
 Outstanding long-term stability with precise illumination control
 5 Imaging Channels
 • 4 Epi-Fluorescence + 1 Transmitted Light
 Sample Protect Mode – Allows the user to control sample's exposure to excitation light



STAND

UPRIGHT and INVERTED observation modes
 4 accessible focus knobs for Upright and Inverted configurations
 Repeatable camera and LED light settings
 Anti-Shake feature:
 Leverages built in accelerometer to minimize the effect of external vibrations prior to image capture



SOFTWARE

Touch interface for microscope and camera control
 Measurement annotations: Length, Area, Cell Count, Scale Bar
 Touch-based cell counting tool (up to 6 different cell types)
 Customizable image overlay tools
 Downloads and updates available via App Store



OPTICS

Optical components by Olympus®
 1.25x – 100x (dry and immersion available)
 Plan Achromat, Plan Fluorite, and Plan Apochromat options
 Brightfield, Darkfield, Phase Contrast, and Fluorescence capabilities
 Extra Long Working Distance (ELWD) condenser available
 High Resolution (High N.A.) condenser available

CONFIGURATIONS

Upright

Ideal for viewing glass slides.
 Clean approach to oil immersion applications.
 Useful for Water Dipping applications.
 Use with optional high resolution condenser.

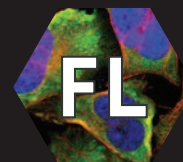


Inverted

Designed for viewing live samples in fluidic chambers such as dishes and well plates.
 Allows for easier manipulation of samples.
 Ideal for Long Working Distance applications.

Brightfield

Stunning detail. Perfect color.
 12 MP color camera.
 HD video, 120 fps.



Fluorescence

Exceptional performance.
 No Darkroom required.
 3.2 MP monochrome CMOS Camera